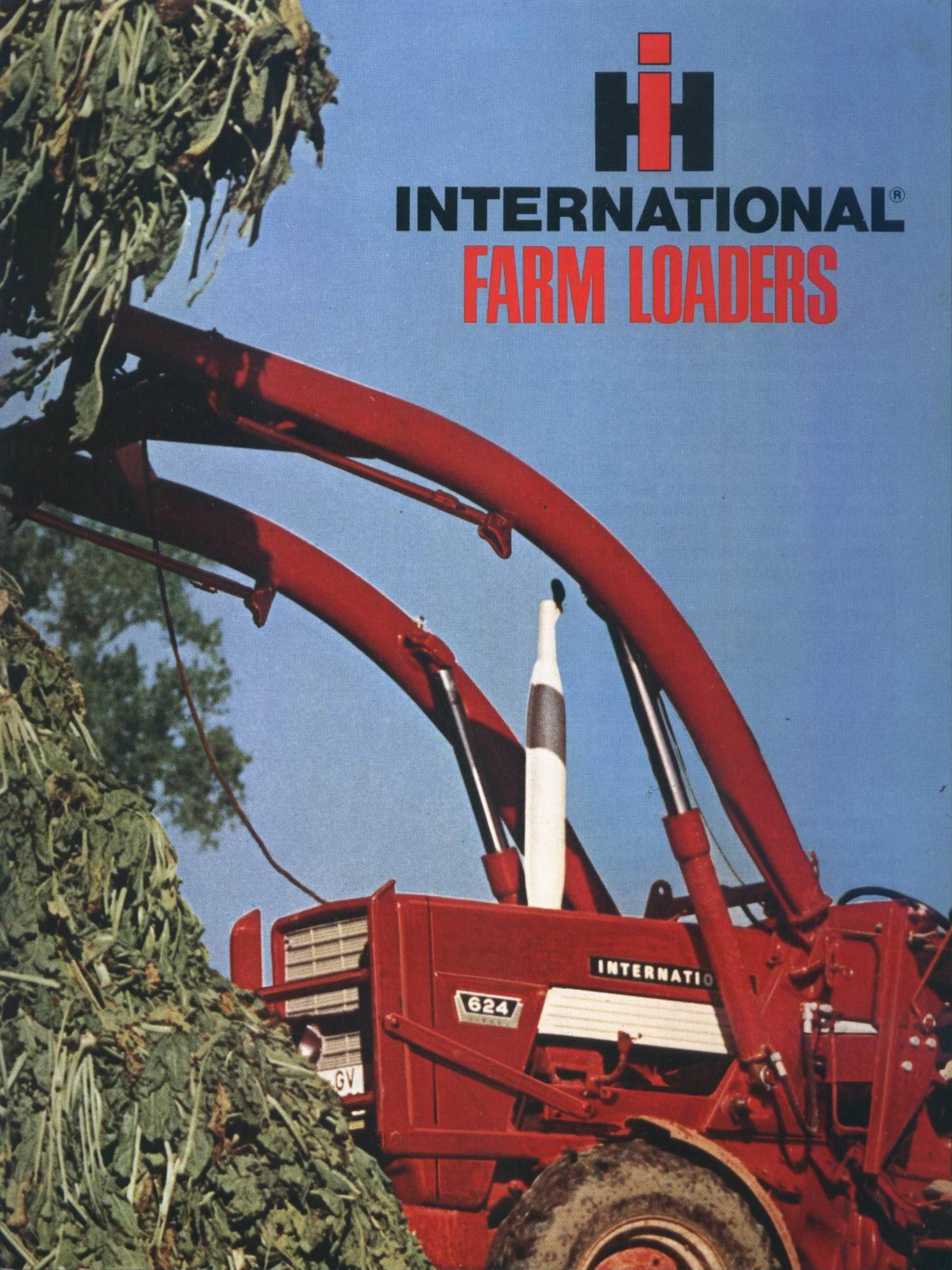




INTERNATIONAL[®]
FARM LOADERS



INTERNATIO

624

GV

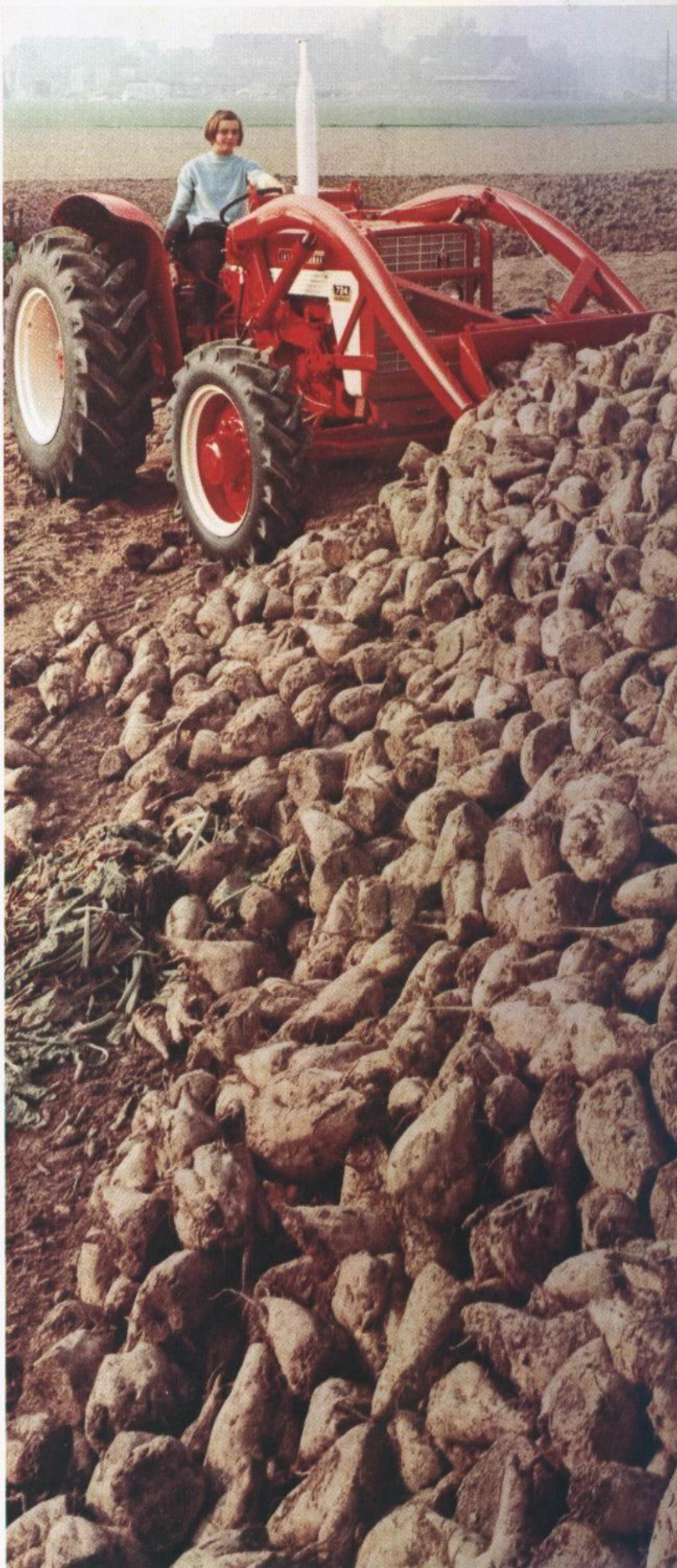
INTERNATIONAL[®]

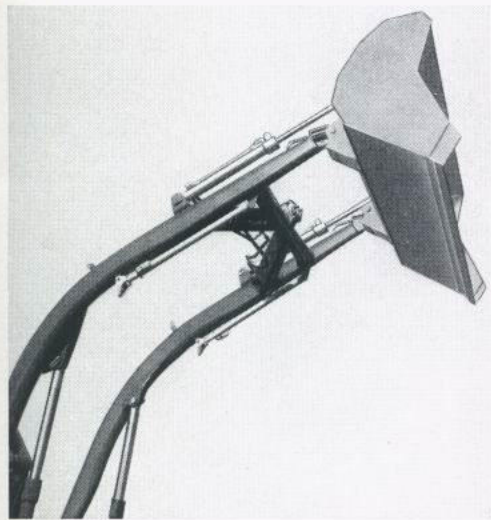
FARM LOADERS

for INTERNATIONAL 323, 353, 423, 453, 523, 624, 724 and 824 tractors.

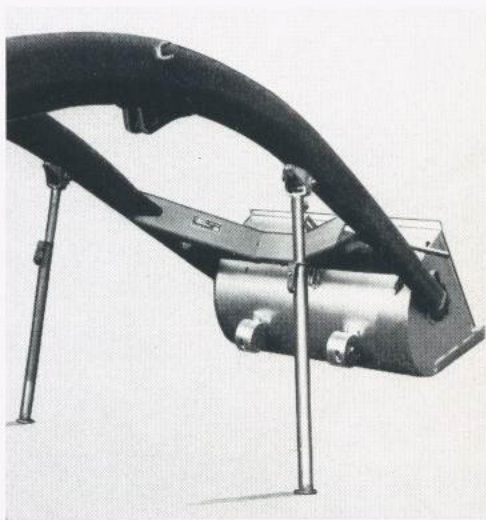
The INTERNATIONAL Farm Loader is a tower of strength designed to handle practically all loading and general duty jobs fast and efficiently. Season for season, year in, year out, you'll find the loader an indispensable implement. No more costly labour problems for clean-up jobs, excavation work, ditching, backfilling, loading, spreading or performing a multitude of other operations. Simply select the appropriate easy-to-fit attachment and you'll master the job in hand swiftly and effortlessly. Full length, sturdy sub-frame holds loader rigidly to the tractor and transfers the stress of loading operations to the axles.

Heavy-duty, seamless steel booms, reinforced by rugged cross beam sections, withstand the thrust and shock of heavy digging and cut sway and twist to a minimum. A grille guard protects the tractor front-end from damage during loading operations. Sturdy, single-acting lift cylinders with chrome-plated piston rods and anti-leak seals ensure unsurpassed dependable lifting. Teamed with the Agriomatic-S instant reverse transmission (523, 624, 724 and 824 tractors) you will speed loading cycles by 30% or more. A choice of mechanical or hydraulic dump is available.





The Loader can be fitted with a hydraulic dump as special equipment. This "extra" enables the bucket to be raised or tipped in any desired position thus increasing the loader's performance and output.



To facilitate the mounting and dismounting of implements two support arms have been fitted to the boom arms.



Mounting of implements is a simple one-man operation. The implement is held secure by a spring-loaded bolt.

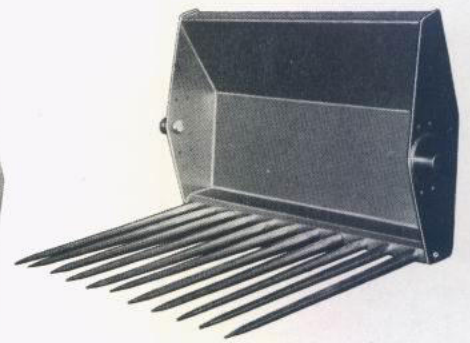
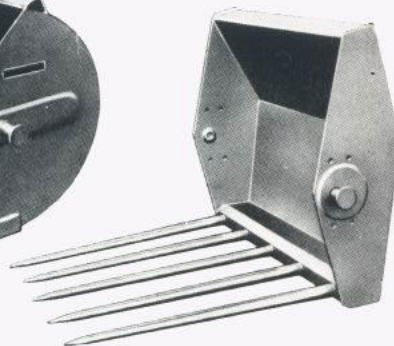
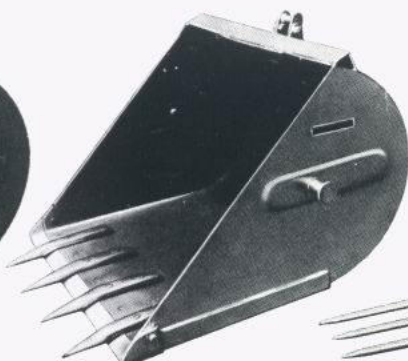
A wide selection of easy-to-fit tools for every job.

Earth Scoop

... with steel tines

Manure Fork "SUPER"

... for short-staw manure



Version	Width cm	Capacity cbm
323, 353, 423, 453	85	0,26
523, 624, 724, 824	102	0,32

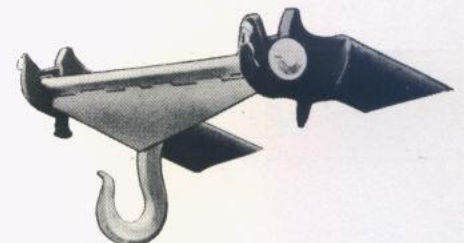
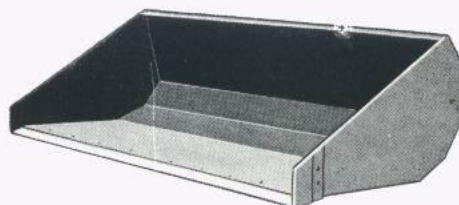
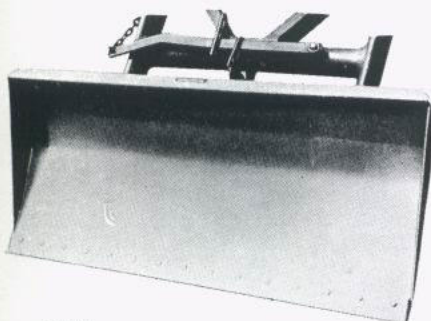
Width cm	Version	Width cm
85	5 tines	85
102	6 tines	102

Reinforced Earth Scoops available

Levelling Blade

Manure Bucket

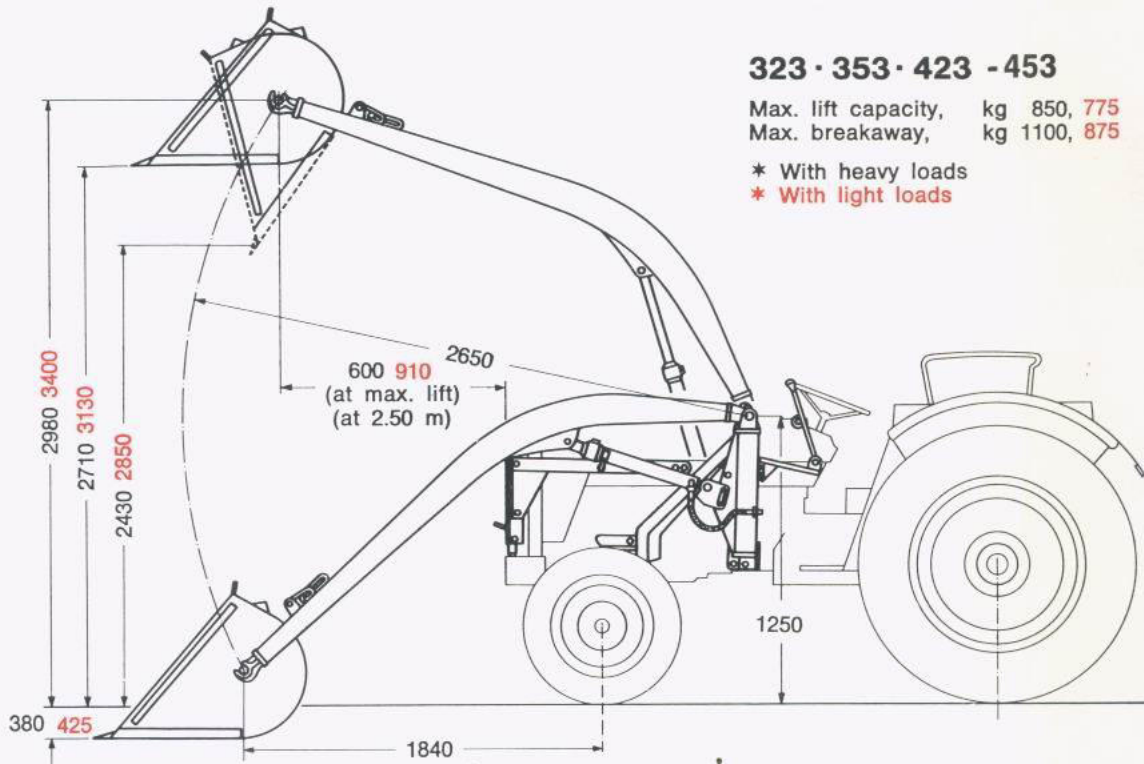
Crane Hook



Width cm
150
180

Width cm	Capacity cbm
165/185	0,56 / 0,63
165/185	0,56 / 0,63

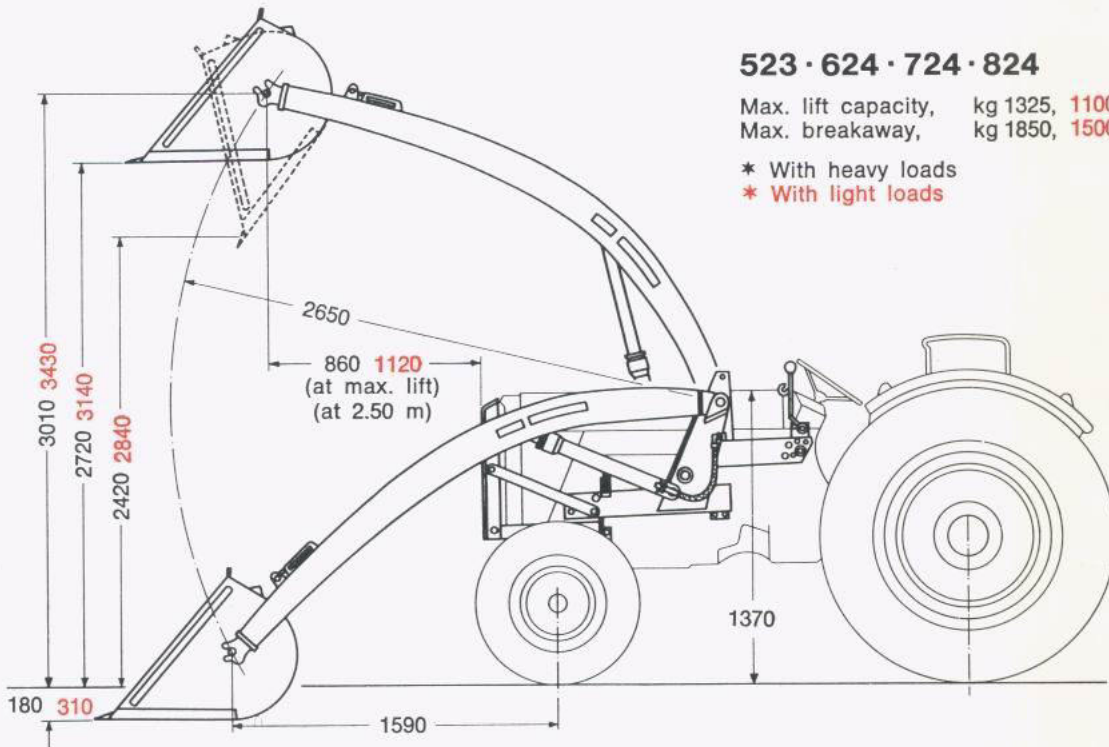
Load Capacity kg
500
800



323 · 353 · 423 - 453

Max. lift capacity, kg 850, **775**
 Max. breakaway, kg 1100, **875**

- * With heavy loads
- * With light loads



523 · 624 · 724 · 824

Max. lift capacity, kg 1325, **1100**
 Max. breakaway, kg 1850, **1500**

- * With heavy loads
- * With light loads



INTERNATIONAL HARVESTER
 INTERNATIONAL HARVESTER COMPANY M.B.H.
 NEUSS/RHINE GERMANY