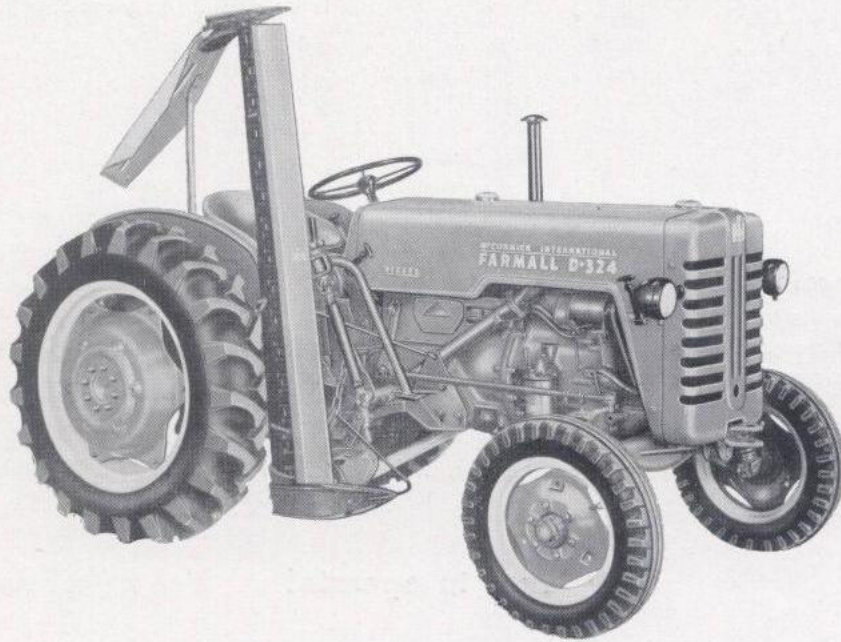


Side-Mounted Vertical Lift Tractor Mower DE-22 V

for Farmall D-320, D-324 and D-430 tractors

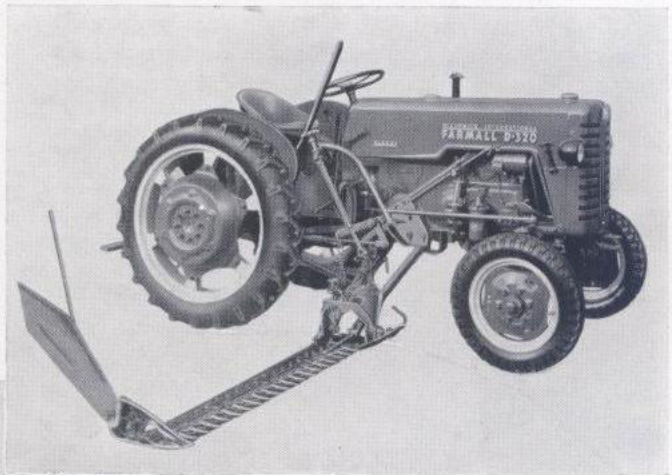


Simple, sturdy, compact construction assures many years of satisfactory service.

From his position on the tractor seat the operator can raise or lower the cutter bar as desired.

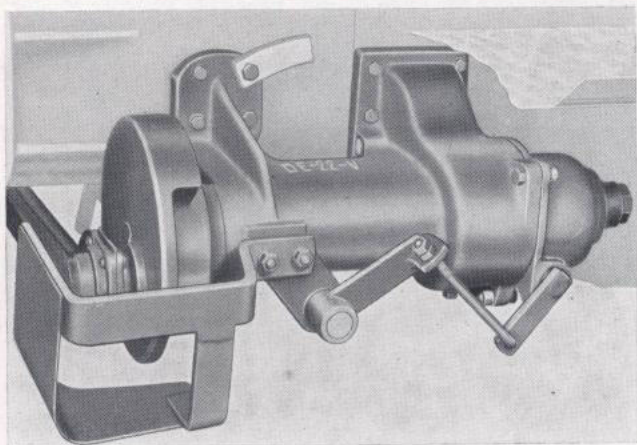
The tilt of the cutter bar is controlled by means of a hand wheel from the tractor seat.

An automatic throw out clutch stops the mower drive when the cutter bar is raised above the plain lift position.



Full vertical lift

By a flick of the hydraulic control lever the cutter bar can be raised to the transport position. A manual control lever for hand lift is available.



Mower Drive:

The DE-22 V vertical lift mower is driven by means of gears direct from the side of the tractor transmission case. The mower drive is attached to the left side of the transmission housing and a multiple disk clutch which serves as a slip clutch guards against overloading. The mower drive throw-out lever is within easy reach of the operator.

Ample ground clearance:

When the cutter bar is in the transport position the clearance between the inner shoe and the ground measures 12 inches. Because of its high ground clearance the DE-22 V side mounted mower does not have to be dismantled when other field work is done. Thanks to its simple construction, it is a very easy matter to mount it on the tractor.

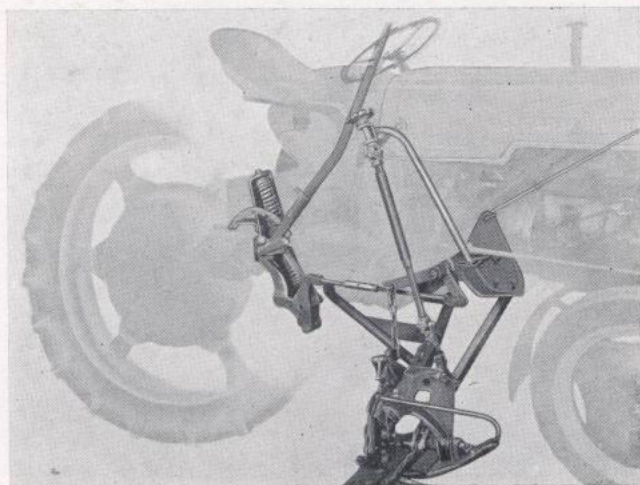
Cutter Bar Equipment:

This tractor mower is supplied with either regular, medium, or low-cut bar in 4½ or 5 ft. cutting widths, and with regular or medium-cut bar in 6 ft. width.

Easy to operate!

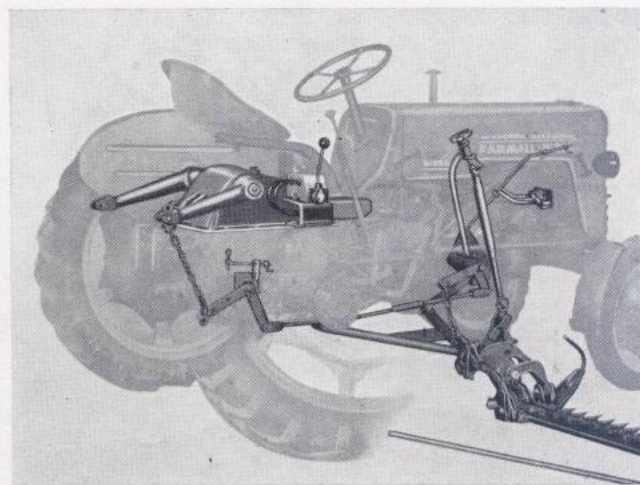
Hand Lift:

Where hydraulic power is not available, an easily operated manual control lever is supplied. Notches on the quadrant of the lifting lever permit the cutter bar to be held in either the plain or vertical lift position.



Hydraulic Lift:

The hydraulic lift provides complete and instantaneous control of the cutter bar. The hydraulic control lever is conveniently located to the tractor operator's right hand.



INTERNATIONAL HARVESTER COMPANY M.B.H.

Neuss/Rhine

(Germany)